

UTICA CUTLERY CO[®]

2024

KUTMASTER 400 LINE



SPECIALTY TOOLS



**USA
EVERYDAY
CARRY**



MADE IN USA



CUTLERY



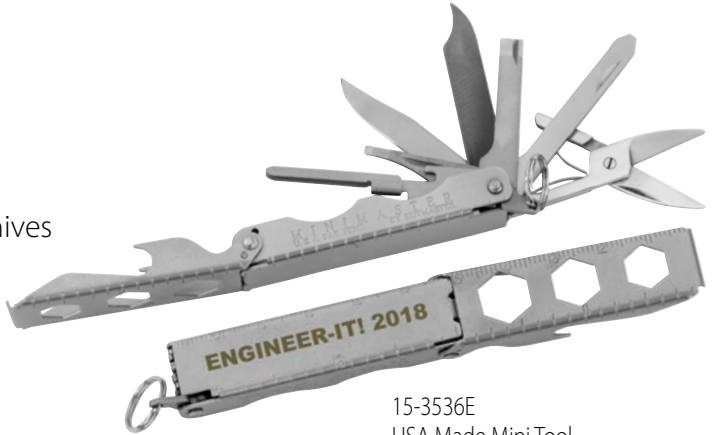
**SPECIALTY
KNIVES**



**USA
FILET
KNIVES**

TABLE OF CONTENTS

PAGE	CATEGORY
3	USA Made Tools
4-5	USA Made Everyday Carry
6	USA Made Filet Knives
7	USA Made Classic Lockbacks
8	USA Made Gentlemen's Knives
9	USA Made Multi-Tools
10-11	USA Made Commemorative Knives
12-13	Cutlery
14	Ceramic Knives
15	Steak Knives
16-18	Assorted Specialty Cutlery
19	Specialty Kitchen Accessories, Carving Set
20	Wine Openers
21	Unitensil
22-25	Produce Knives
26	Rescue Knife
27	Hunting Knife
28-29	Specialty Tools
30	Everyday Carry
31	Mini Tools
32	Classic Folders
33	Everyday Carry
34	Open Assist
35	Filet Knife
36-37	General Information



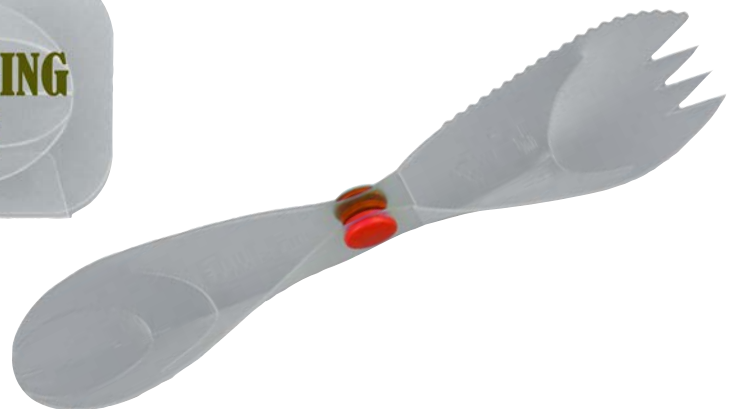
15-3536E
USA Made Mini Tool
Pg. 9



95-712NO
Pumpkin Carver
Pg. 18



95-UNI01PP
Unitensil
Pg 21





NEW



TICK REMOVER TOOL

15-2100L

2.5" x 1.125" Blue Anodized Aluminum Tick Remover

Includes laser engraving on one side.

50	100	200	500	750	1000
6.99	6.79	6.61	6.43	6.25	6.06
Setup - \$70.00G)				Imprint Area - 1/2" x 1"	
Shipping Weight - 50 pcs @ 2 lbs				Class - 6C	

GRILL SCRAPER TOOL

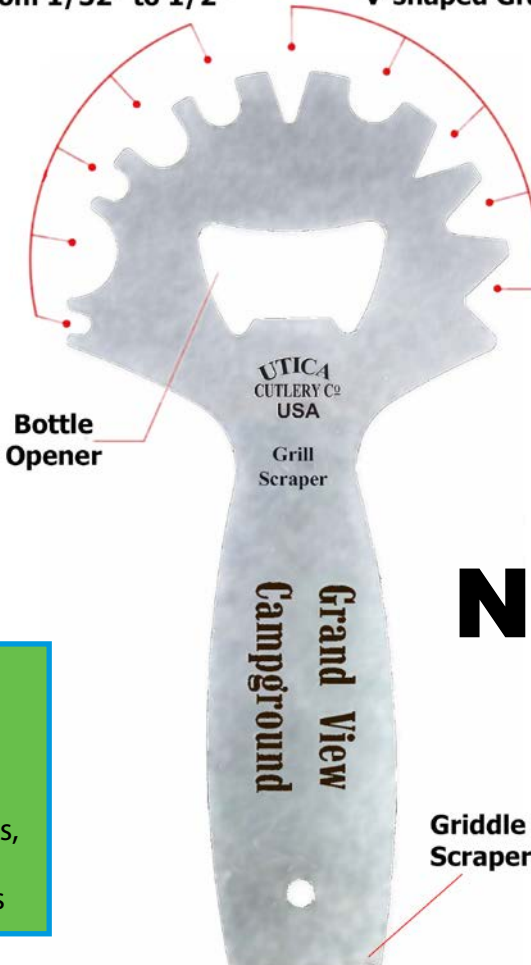
15-2130E

5.375" x 2.56" Stainless Steel Grill Scraper
Features-10 different grooves that will fit most grill grates, griddle scraper, bottle cap lifter, and hook hang hole

Includes electro etch in one location.

50	100	200	500	750	1000
9.40	9.12	8.88	8.63	8.39	8.15
Setup - \$86.25G)				Imprint Area - 2" x 5/8"	
Shipping Weight - 50 pcs @ 5 lbs				Class - 6C	

5 Notches for Round Grates from 1/32" to 1/2"
5 Notches for V-shaped Grates



NEW

Who Buys?

Home & Garden, Recognition & Awards, Retailers, Military, Construction, Camping & Outdoors, Military, Automotive, Safety, Agriculture, Hunting Clubs, Unions



EVERYDAY CARRY

4.5" WOOD HANDLE LINER LOCK

15-1045L

- Liner Lock
- High Carbon Steel Blade
- Blade Length 3.3"
- Closed Length 4.5"
- Overall Length 7.8"
- Pocket Clip

Pricing includes laser engraving on handle.

12	25	50	100	200	500
40.75	40.26	39.53	39.04	37.34	36.60
Set up - \$70.00(G)			Imprint Area - 2" x 1/2"		
Shipping Weight - 12 pcs @ 6 lbs			Class - 6C		



BALL BEARING ASSISTED OPENING

15-9163L

- Liner Lock
- High Carbon Steel Blade
- Blade Length 3.5"
- Closed Length 4.75"
- Overall Length 8.25"
- Pocket Clip

Pricing includes laser engraving on blade.

12	25	50	100	200	500
48.45	46.41	43.86	43.35	42.08	40.80
Set up - \$70.00(G)			Imprint Area - 2" x 1/2"		
Shipping Weight - 12 pcs @ 6 lbs			Class - 6C		



MADE IN USA with Globally Sourced Materials

EVERDAY CARRY



EVERYDAY CARRY



BALL BEARING ASSISTED OPENING

15-9134E

- Liner Lock
- 8Cr13MoV Steel Blade
- Blade Length 3.3"
- Closed Length 4.5"
- Overall Length 7.8"
- Pocket Clip

Pricing includes electro etch on blade.

12	25	50	100	200	500
36.42	34.88	32.97	32.58	31.63	30.67
Set up - \$86.25(G)			Imprint Area - 1-1/2" x 3/8"		
Shipping Weight - 12 pcs @ 5 lbs			Class - 6C		



AXIS LOCK BALL BEARING ASSISTED OPENING

15-UTKF4L

- Axis Lock
- 440C Steel Blade
- Blade Length 3.375"
- Closed Length 4.37"
- Overall Length 7.75"
- Moveable Pocket Clip

Pricing includes laser engraving on blade.

12	25	50	100	200	500
58.36	55.90	52.83	52.22	50.68	49.15
Set up - \$70.00(G)			Imprint Area - 1-1/2" x 1/2"		
Shipping Weight - 12 pcs @ 5 lbs			Class - 6C		



MADE IN USA with Globally Sourced Materials



FILET KNIVES



6" FILET KNIFE 15-701E

- Molded Polypropylene/Rubber Grip Handle
- 440C Steel Blade
- Blade Length 6"
- Overall Length 11.25"
- Nylon Sheath

Pricing includes electro etch on blade.

12	25	50	100	200	500
25.46	25.15	24.70	24.39	23.32	22.87
Set up - \$86.25(G)			Imprint Area - 2" x 1/4"		
Shipping Weight - 12 pcs @ 6 lbs			Class - 6C		

7.5" FILET KNIFE 15-702E

- Molded Polypropylene/Rubber Grip Handle
- 440C Steel Blade
- Blade Length 7.5"
- Overall Length 12.75"
- Nylon Sheath

Pricing includes electro etch on blade.

12	25	50	100	200	500
27.30	26.98	26.49	26.16	25.02	24.53
Set up - \$86.25(G)			Imprint Area - 2" x 3/8"		
Shipping Weight - 12 pcs @ 7 lbs			Class - 6C		



9" FILET KNIFE 15-703E

- Molded Polypropylene/Rubber Grip Handle
- 440C Steel Blade
- Blade Length 9"
- Overall Length 14.25"
- Nylon Sheath

Pricing includes electro etch on blade.

12	25	50	100	200	500
28.69	28.35	27.83	27.49	26.28	25.77
Set up - \$86.25(G)			Imprint Area - 2-1/2" x 3/8"		
Shipping Weight - 12 pcs @ 6 lbs			Class - 6C		



FILET KNIFE COMBO 15-785E

- Molded Polypropylene/Rubber Grip Handles
- 440C Stainless Steel Blade
- Blade Lengths 6", 7.5", 9"(15-701E, 15-702E & 15-703E)
- Handle Length 5.25"
- Nylon Rollup Sheath

Pricing includes electro etch on blades.

12	25	50	100	200
118.84	117.42	115.28	113.86	108.88
Set up - \$86.25(G)			Imprint Area - 2-1/2" x 3/8"	
Shipping Weight - 12 pcs @ 16 lbs			Class - 5C	



Nylon Sheath included with Models 15-701E, 15-702E & 15-703E

MADE IN USA with Globally Sourced Materials

CLASSIC LOCKBACKS



CLASSIC LOCKBACKS

5" LOCKBACK 15-17101L

- High carbon steel blade
- Blade length 3-1/2"
- Closed length 5"
- Overall length 8-1/2"

Price includes laser engraved handle

25	50	100	200	500	1000
69.22	68.39	67.15	66.32	63.42	62.18

Set Up - \$70.00(G)
Shipping Weight - 25 pcs @ 19 lbs

Imprint Area - 2" x 5/16"
Class - 6C

15-17101L LASER ENGRAVING ON HANDLE

5" LOCKBACK

15-17101E

- High carbon steel blade
- Blade length 3-1/2"
- Closed length 5"
- Overall length 8-1/2"

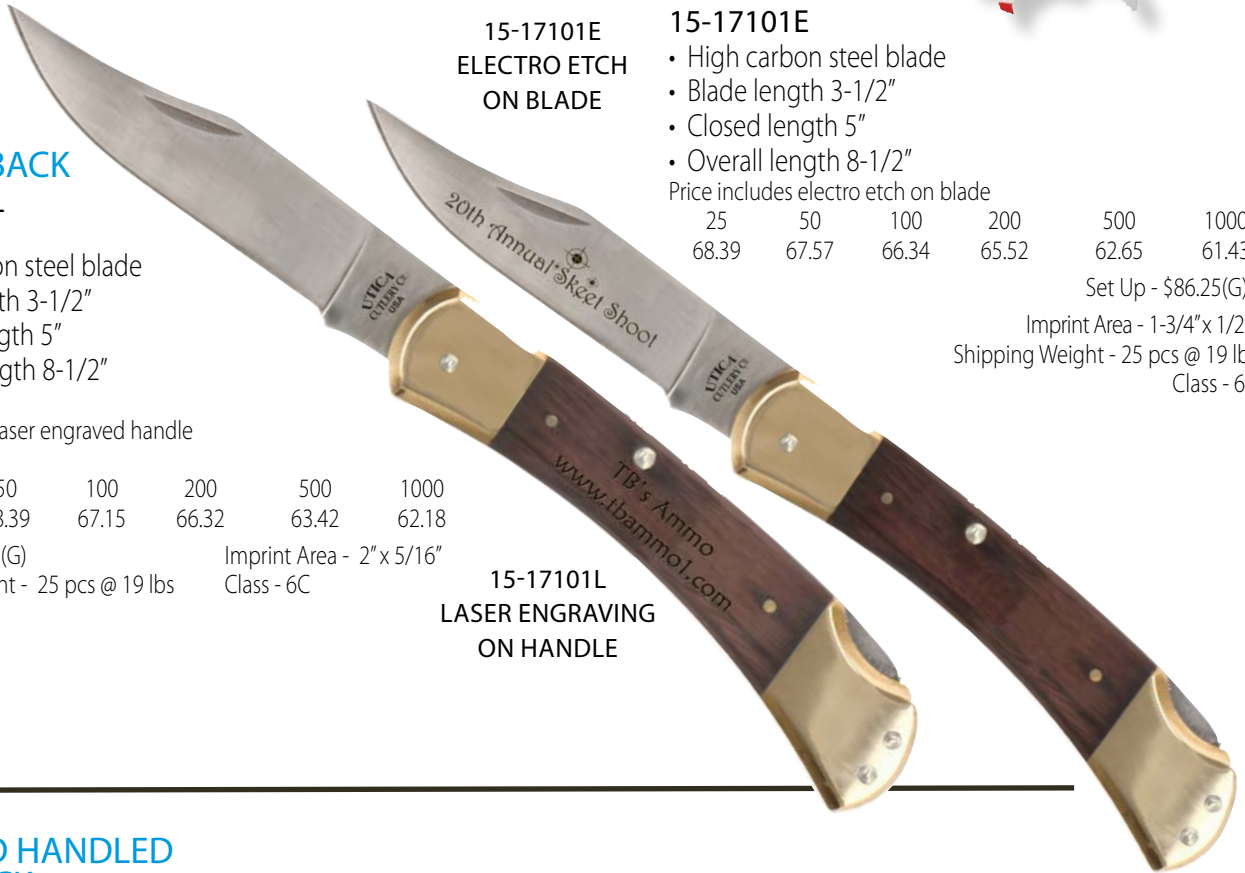
Price includes electro etch on blade

25	50	100	200	500	1000
68.39	67.57	66.34	65.52	62.65	61.43

Set Up - \$86.25(G)

Imprint Area - 1-3/4" x 1/2"

Shipping Weight - 25 pcs @ 19 lbs
Class - 6C



3" WOOD HANDLED LOCKBACK 15-169L

- High carbon steel blade
- Blade length 2-1/4"
- Closed length 3"
- Overall length 5-1/8"

Price includes laser engraved handle

25	50	100	200	500	1000
34.93	33.91	33.00	32.09	31.19	30.28

Set Up - \$70.00(G)
Shipping Weight - 25 pcs @ 3 lbs

Imprint Area - 1-1/4" x 3/8"
Class - 6C

15-169L

15-169E ELECTRO ETCH ON BLADE



3" WOOD HANDLED LOCKBACK 15-169E

- High carbon steel blade
- Blade length 2-1/4"
- Closed length 3"
- Overall length 5-1/8"

Price includes electro etch on blade

25	50	100	200	500	1000
33.98	32.99	32.10	31.22	30.34	29.45

Set Up - \$86.25(G)

Shipping weight - 25 pcs @ 3 lbs

Imprint Area - 1" x 3/8"

Class - 6C



Who Buys?

Home & Garden, Recognition & Awards, Retailers, Military, Construction, Camping & Outdoors, Military, Automotive, Safety, Agriculture, Hunting Clubs, Unions



GENTLEMEN'S KNIVES

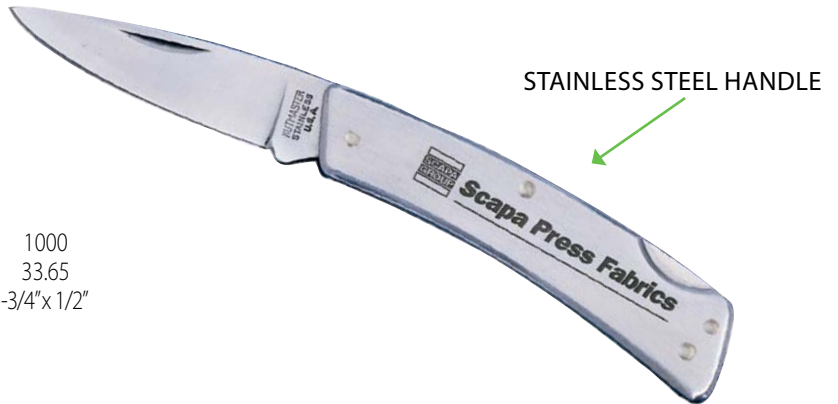
3" STAINLESS STEEL LOCKBACK

15-131029E

- High carbon stainless steel blade
- Blade length 2-1/4"
- Closed length 3"
- Overall length 5-1/4"

Price includes electro etch on handle

25	50	100	200	500	1000
39.96	38.28	36.18	35.76	34.71	33.65
Set Up - \$86.25(G)			Imprint Area - 1-3/4" x 1/2"		
Shipping Weight - 25 pcs @ 4-1/2 lbs			Class - 6C		



3" HIGH TECH LINER LOCK

- 15-2012BKL – Black
- 15-2012OL – Orange
- 15-2012RL – Red
- 15-2012BL - Blue

- Aluminum handle
- High carbon steel blade
- Blade Length 2"
- Closed Length 3"
- Overall Length 5"
- Pocket Clip

Price includes laser engraving in one location on handle.

25	50	100	200	500	1000
34.16	33.72	33.28	32.83	32.39	31.72
Set up - \$70.00(G)			Imprint Area – 1-3/4" x 1/2"		
Shipping Weight – 25 pcs @ 6 lbs			Class – 6C		



Who Buys?

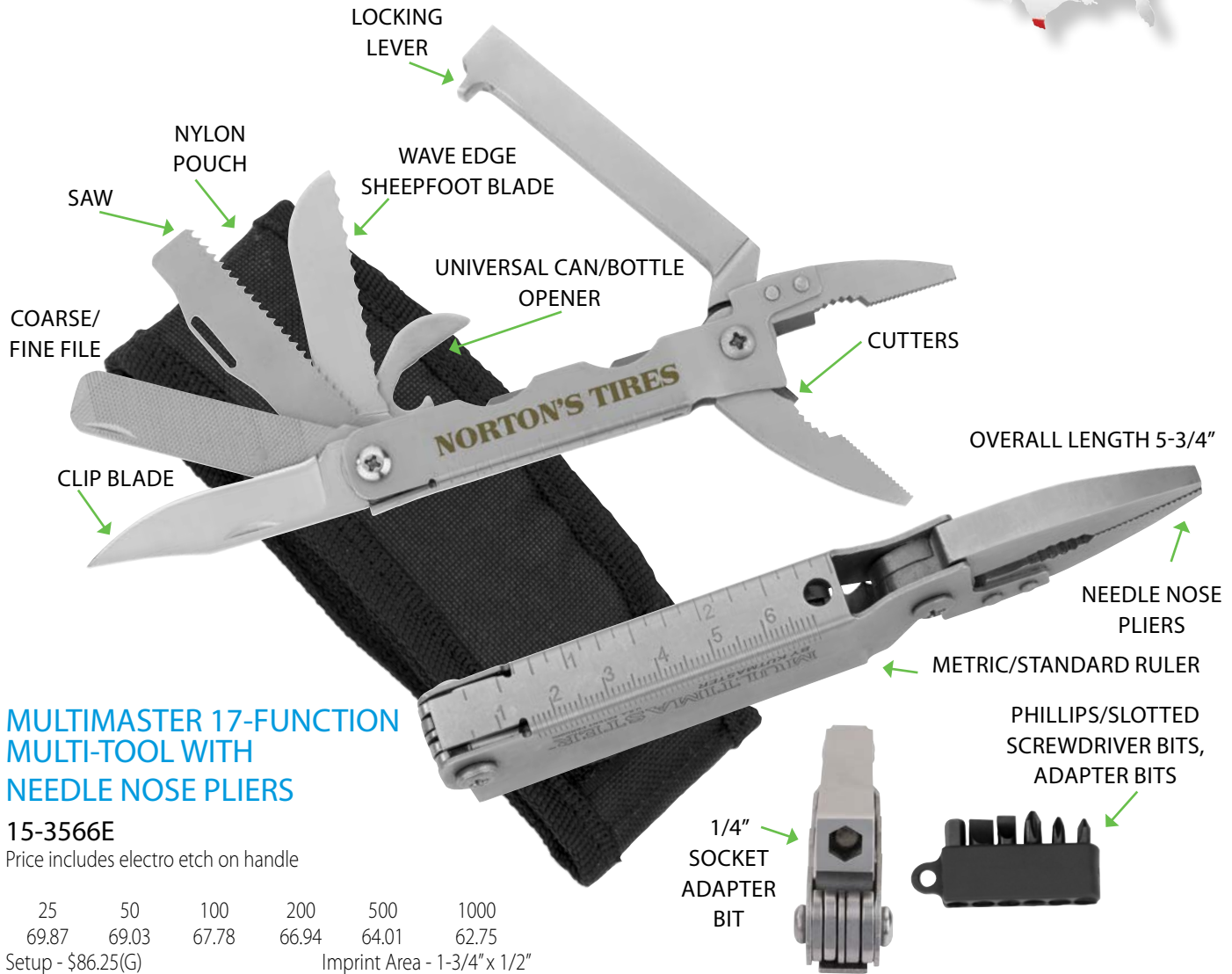
Home & Garden,
Employee Recognition
& Awards, Retailers,
Construction, Camping
& Outdoors, Military,
Automotive, Safety,
Agriculture, Unions

MADE IN USA with Globally Sourced Materials

MULTI-TOOLS



MULTI-TOOLS

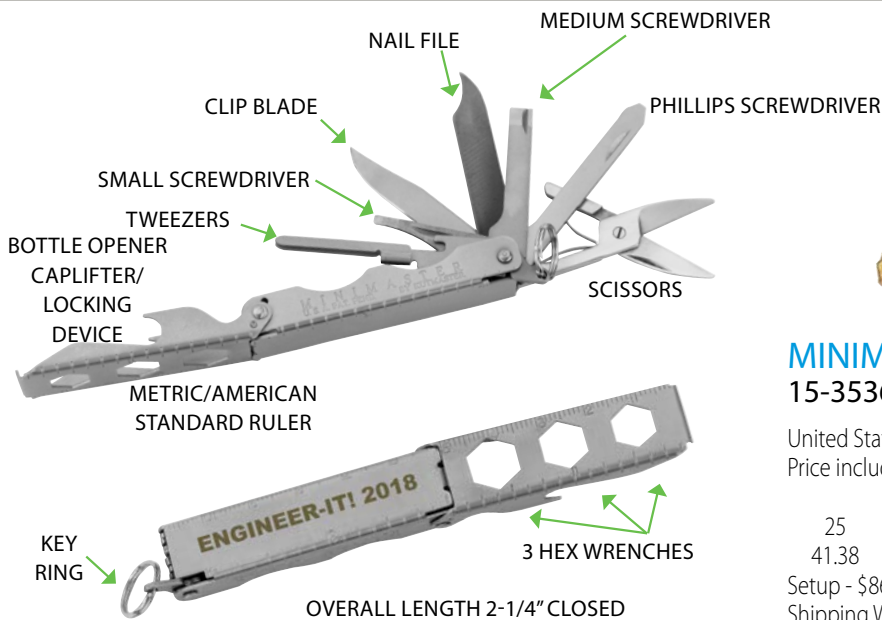


MULTIMASTER 17-FUNCTION MULTI-TOOL WITH NEEDLE NOSE PLIERS

15-3566E

Price includes electro etch on handle

25	50	100	200	500	1000
69.87	69.03	67.78	66.94	64.01	62.75
Setup - \$86.25(G)			Imprint Area - 1-3/4" x 1/2"		
Shipping Weight - 25 pcs @ 19 lbs			Class - 6C		



MINIMASTER 16-FUNCTION MULTI-TOOL

15-3536E

United States Patent 5,950,265
Price includes electro etch on handle.

25	50	100	200	500	1000
41.38	40.17	39.10	38.02	36.95	35.87
Setup - \$86.25(G)			Imprint Area - 1-3/4" x 5/16"		
Shipping Weight - 25 pcs @ 4-1/2 lbs			Class - 6C		



COMMEMORATIVE KNIVES

OFFERED SINCE 1910, WITH THE SAME QUALITY AND FEATURES OF YESTERYEAR

HOW CUSTOM SCULPTURED METAL HANDLES ARE MADE

Utica uses a die casting method which is a metal casting process that is characterized by forcing molten metal under high pressure into a mold cavity. The mold cavity is created using two hardened tool steel dies which have been machined into shape and work similarly to an injection mold during the process.



SOLID BRASS HANDLE

CUSTOM FRONT

GENERIC INITIAL PANEL

3" CUSTOM BRASS LOCKBACK 15-131B

- Solid brass handle
- High carbon stainless steel blade
- Blade length 2-1/4"
- Closed length 3"
- Overall length 5-1/4"

250	500	700	1000	1500	2000
57.35	55.68	54.18	52.69	51.20	49.71
One time custom die charge - \$1,650.00 (G)					
Imprint Area - 3" x 3/4"					
Shipping Weight - 250 pcs @ 40 lbs					
Class - 6C					



CUSTOM DESIGN ON FRONT
GENERIC INITIAL PANEL ON BACK

NICKEL-SILVER HANDLES

3" CUSTOM NICKEL/SILVER LOCKBACK 15-131NS

- Nickle/Silver handle
- High carbon stainless steel blade
- Blade length 2-1/4"
- Closed length 3"
- Overall length 5-1/4"

PLEASE CONSULT FACTORY FOR PRICING.

Who Buys?
Employee Recognition & Awards, Retailers, Construction, Military, Automotive, Safety, Agriculture, Unions



CREATE YOUR OWN COMMEMORATIVE KNIVES

ANNIVERSARIES • MILESTONE'S • AWARDS

GREAT FOR UNIONS, CORPORATIONS, BRANDS

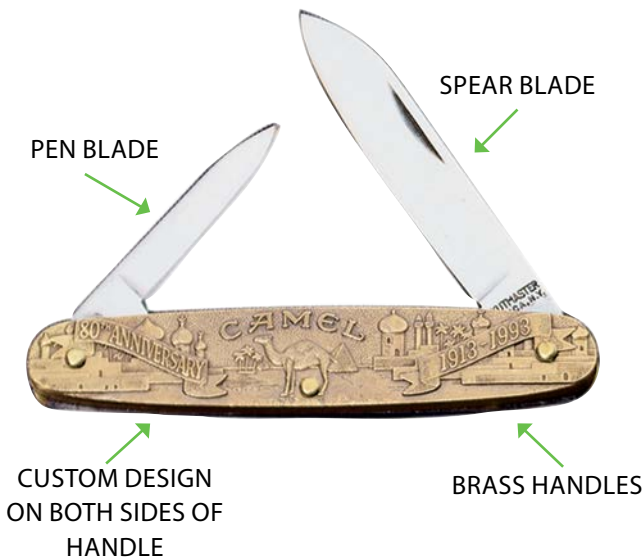


3" CUSTOM NICKEL-SILVER EQUAL END POCKET KNIFE

15-204NS

- High carbon stainless steel blades
- Blade lengths spear blade 2-1/2" pen blade 1-3/4"
- Closed length 3-3/8"
- Overall length 5-7/8"

PLEASE CONSULT FACTORY FOR PRICING.



3" CUSTOM BRASS EQUAL END POCKET KNIFE

15-204B

- High carbon stainless steel blades
- Blade lengths - spear blade 2-1/2" / pen blade 1-3/4"
- Closed length 3-3/8"
- Overall length 5-7/8"

250	500	700	1000	1500	2000
57.35	55.68	54.18	52.69	51.20	49.71

One time custom die charge - \$1,650.00 (G)

Imprint Area - 3" x 3/4"

Shipping Weight - 250 pcs @ 45 lbs

Class - 6C



EVERYDAY KITCHEN CUTLERY



12" LONG

7" SANTOKU KNIFE

95-45013E

Santoku style chef knife includes a 7" blade with a razor sharp edge and a full tang handle. Price includes one location electro etch on one side of blade.

25	50	100	200	500	1000
4.86	4.77	4.70	4.64	4.57	4.48
Set Up - \$86.25(G)				Imprint Area - 2-1/2" x 3/4"	
Shipping Weight - 25 pcs @ 8 lbs				Class - 6C	



8" LONG

8" UNIVERSAL SHEARS

95-45010E

8" Universal shears with stainless steel blades. Price includes one location electro etch on blade.

25	50	100	200	500	1000
5.42	5.31	5.24	5.17	5.09	5.00
Set Up - \$86.25(G)				Imprint Area - 1-3/4" x 1/4"	
Shipping Weight - 25 pcs @ 8 lbs				Class - 6C	



8" Chef's Knife

8" Slicing Knife

5" Utility Knife

3" Paring Knife

Universal Shears

6 pc PREP SET

95-45012L

6 piece prep cutlery set in wood storage block. Knives feature triple riveted handles with full tang blades. Price includes one location laser engraving on wood block.

25	50	100	200	500	1000
26.03	24.93	23.56	23.29	22.60	21.92
Set Up - \$70.00(G)				Imprint Area - 2" x 2"	
Shipping Weight - 25 sets @ 55 lbs				Class - 6C	

Who Buys?

Food & Beverage, Real Estate, Financial Institutions, Home & Garden, Camping & Outdoors, Retailers

Note: Variations in the darkness and depth of the laser marking may occur due to the variations in color and contrast of the wood.

EVERYDAY KITCHEN CUTLERY



12.75" LONG

8" SLICING KNIFE

95-45029E

Slicing knife includes a 8" stainless steel blade with a razor sharp edge. Price includes one location electro etch on blade.

25	50	100	200	500	1000
4.08	4.00	3.95	3.90	3.83	3.76
Set Up - \$86.25(G)				Imprint Area - 2-1/2" x 1"	
Shipping Weight - 25 pcs @ 7 lbs				Class - 6C	



12.75" LONG

8" CHEF KNIFE

95-45027E

Chef knife includes a 8" stainless steel blade with a razor sharp edge. Price includes one location electro etch on one side of blade.

25	50	100	200	500	1000
3.00	2.94	2.90	2.86	2.82	2.77
Set Up - \$86.25(G)				Imprint Area - 2-1/2" x 1"	
Shipping Weight - 25 pcs @ 7 lbs				Class - 6C	



11.5" LONG

7" SANTOKU KNIFE

95-45026E

Santoku style chef knife includes a 7" blade with a razor sharp edge. Price includes one location electro etch on blade.

25	50	100	200	500	1000
3.00	2.94	2.90	2.86	2.82	2.77
Set Up - \$86.25(G)				Imprint Area - 2-1/2" x 3/4"	
Shipping Weight - 25 pcs @ 8 lbs				Class - 6C	



9.125" LONG

5" SANTOKU KNIFE

95-45024E

Santoku style chef knife includes a 5" blade with a razor sharp edge. Price includes one location electro etch on blade.

25	50	100	200	500	1000
3.00	2.94	2.90	2.86	2.82	2.77
Set Up - \$86.25(G)				Imprint Area - 2-1/2" x 3/4"	
Shipping Weight - 25 pcs @ 7 lbs				Class - 6C	



9.125" LONG

5" UTILITY KNIFE

95-45025E

Utility knife includes a 5" blade with a razor sharp edge. Price includes one location electro etch on blade.

25	50	100	200	500	1000
3.00	2.94	2.90	2.86	2.82	2.77
Set Up - \$86.25(G)				Imprint Area - 1-3/4" x 1/4"	
Shipping Weight - 25 pcs @ 8 lbs				Class - 6C	

CERAMIC CUTLERY



2.5" CERAMIC PARING KNIFE

95-740PP

Paring knife features a 2-1/2" razor sharp ceramic blade and a 4-1/4" ergonomic handle. Plastic sheath is included with knife. Price includes one color print on handle.

25	50	100	200	500	1000
5.77	5.66	5.58	5.51	5.42	5.32

Set up - \$50.00(G)

Shipping Weight- 25pcs @ 3 lbs

Imprint Area-1-3/4" x 1/2"

Class - 6C



4" CERAMIC UTILITY KNIFE

95-741PP

Utility knife features a 4" razor sharp ceramic blade and a 5" ergonomic handle. Plastic sheath is included with knife. Price includes one color print on handle.

25	50	100	200	500	1000
8.22	8.06	7.95	7.84	7.72	7.58

Set up - \$50.00(G)

Shipping Weight -25 pcs @ 5 lbs

Imprint Area- 2" x 1/2"

Class - 6C

Who Buys?

Food & Beverage, Real Estate, Financial Institutions, Home & Garden, Camping & Outdoors, Retailers



5" CERAMIC SANTOKU KNIFE

95-742PP

Santoku knife features a 5" razor sharp ceramic blade and a 5-1/2" ergonomic handle. Plastic sheath is included with knife. Price includes one color print on handle.

25	50	100	200	500	1000
9.84	9.65	9.53	9.40	9.25	9.08

Set up - \$50.00(G)

Shipping Weight -25 pcs @ 7 lbs

Imprint Area- 2" x 1/2"

Class - 6C

JUMBO STEAK KNIFE

JUMBO STEAK KNIFE

95-6405271E

Jumbo steak knife w/stainless blade, 2-rivet handle.
Price includes electro etch on blade.

25	50	100	200	500	1000
7.28	6.93	6.59	6.41	6.24	6.07
Set Up - \$86.25(G)			Imprint Area - 2-1/2" x 3/4"		
Shipping Weight - 50 pcs @ 16 lbs			Class - 6C		



10" LONG

ELECTRO ETCHED BLADE

JUMBO STEAK KNIFE

95-6405271L

Jumbo steak knife w/stainless blade, 2-rivet handle.
Price includes laser engraved handle.

25	50	100	200	500	1000
8.33	7.93	7.54	7.34	7.14	6.94
Set Up - \$70.00(G)			Imprint Area - 2-1/2" x 3/4"		
Shipping Weight - 50 pcs @ 16 lbs			Class - 6C		



10" LONG

LASER ENGRAVED HANDLE

JUMBO STEAK KNIFE IN BLOCK SET

95-WB6405276L

Wood steak knife block includes six lightwood handle jumbo steak knives. Price includes laser engraving on one side of block.

25	50	100	200	500	1000
44.10	42.00	39.90	38.85	37.80	36.75
Set Up - \$70.00(G)			Imprint Area - 2" x 2"		
Shipping Weight - 25 sets @ 65 lbs			Class - 6C		



ASSORTED SPECIALTY CUTLERY



BUTTER & CHEESE SPREADER

95-714NW

Butter/cheese spreader with white plastic handle. Price includes a one color pad print on handle. When ordering specify color wanted.

150	500	1000	2000	3000
3.41	3.32	3.22	3.13	3.04

Set Up - \$50.00(G)

Shipping Weight - 150 pcs @ 7 lbs

Imprint Area - 2-1/2" x 3/8"

Class - 5C



2-1/4" BLADE
6" LONG

WARNING:
Cancer and reproductive harm-
See www.P65Warnings.ca.gov
for more information.

PARING KNIFE

95-713NW

Paring knife with white plastic handle. Price includes a one color pad print on handle. When ordering specify color wanted.

150	500	1000	2000	3000
3.95	3.84	3.73	3.63	3.52

Set Up - \$50.00(G)

Shipping Weight - 150 pcs @ 6 lbs

Imprint Area - 2-1/2" x 3/8"

Class - 5C



2-1/2" BLADE
6-1/8" LONG

WARNING:
Cancer and reproductive harm-
See www.P65Warnings.ca.gov
for more information.

Who Buys?

Food & Beverage, Real Estate, Financial Institutions, Home & Garden, Camping & Outdoors, Retailers, Agriculture

OYSTER/CLAM KNIFE

95-718PP

Oyster knife/clam opener with white plastic handle. Price includes one color pad print on one side of handle.

100	200	500	1000	1500
6.78	6.60	6.42	6.24	6.05
Set Up - \$50.00(G)		Imprint Area - 2-1/2" x 1/2"		
Shipping Weight - 100 pcs @ 14 lbs		Class - 5C		

3" BLADE
7" LONG



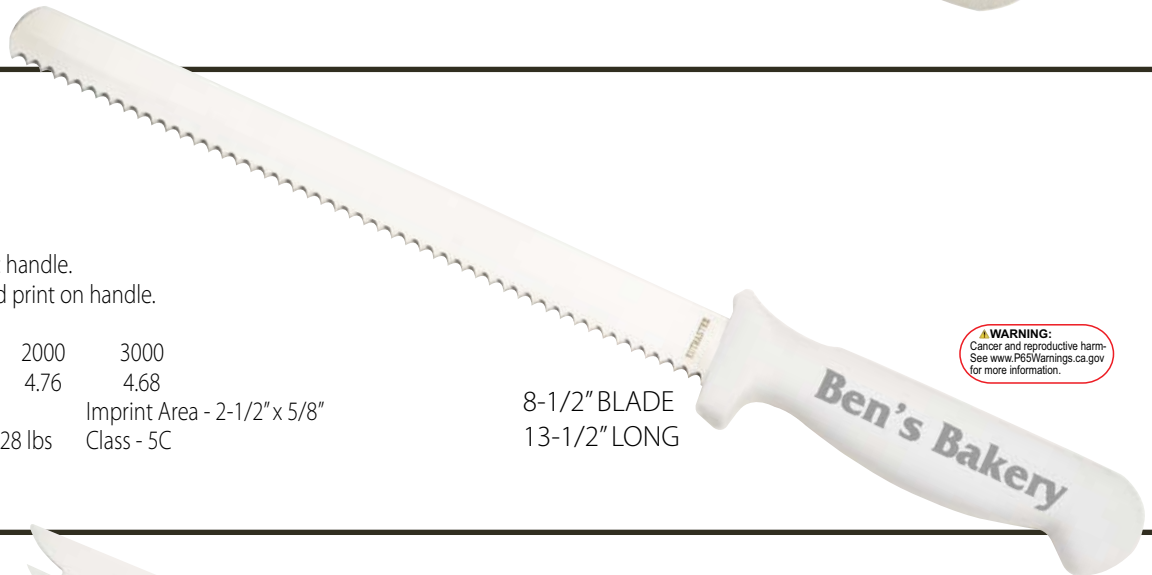
BREAD KNIFE

95-715W

Bread knife with white plastic handle. Price includes a one color pad print on handle.

150	500	1000	2000	3000
4.97	4.91	4.84	4.76	4.68
Set Up - \$50.00(G)		Imprint Area - 2-1/2" x 5/8"		
Shipping Weight - 150 pcs @ 28 lbs		Class - 5C		

8-1/2" BLADE
13-1/2" LONG



WARNING:
Cancer and reproductive harm.
See www.P65Warnings.ca.gov
for more information.

CARVE-N-SERVE KNIFE

95-716B

Carve-N-Serve knife with black plastic handle. Price includes a one color pad print on handle.

150	500	1000	2000	3000
3.25	3.21	3.17	3.12	3.06
Set Up - \$50.00(G)		Imprint Area - 2-1/2" x 5/8"		
Shipping Weight - 150 pcs @ 28 lbs		Class - 5C		

8-1/4" BLADE
13-1/8" LONG



WARNING:
Cancer and reproductive harm.
See www.P65Warnings.ca.gov
for more information.

ASSORTED SPECIALTY CUTLERY

FRUIT/VEGETABLE KNIFE

95-710NW

Fruit/vegetable also known as tomato knife. White plastic handle.
Price includes a one color pad print on handle.

150	500	1000	2000	3000
3.03	2.94	2.86	2.78	2.70

Set Up - \$50.00(G) Imprint Area - 2-1/2" x 3/8"
Shipping Weight - 150 pcs @ 7 lbs Class - 5C



4-3/4" BLADE
8-3/4" LONG

WARNING:
Cancer and reproductive harm.
See www.P65Warnings.ca.gov
for more information.

PUMPKIN CARVER

95-712NO

Pumpkin carver with orange plastic handle.
Price includes a one color pad print on handle.

150	500	1000	2000	3000
3.91	3.80	3.70	3.60	3.49

Set Up - \$50.00(G) Imprint Area - 2-1/2" x 3/8"
Shipping Weight - 150 pcs @ 7 lbs Class - 5C



2-7/8" BLADE
6-1/2" LONG

WARNING:
Cancer and reproductive harm.
See www.P65Warnings.ca.gov
for more information.



SPECIALTY KITCHEN ACCESSORIES

PIZZA CUTTER

95-731WPP

8 1/4" Pizza cutter with white polypropylene handles and a stainless steel cutter. Price includes one color print on handle.



50	100	200	500	1000
3.70	3.63	3.58	3.48	3.38
Set Up -\$50.00 (G)		Imprint area: 2"x 1/2"		
Shipping weight -50 pcs @8 lbs		Class 5C		

POTATO PEELER

95-732WPP

7" Potato peeler with white polypropylene handles and a stainless steel cutter. Price includes one color print on handle.



50	100	200	500	1000
3.67	3.60	3.55	3.45	3.35
Set Up -\$50.00 (G)		Imprint area: 2"x 1/2"		
Shipping weight -50 pcs @ 6 lbs		Class 5C		

CARVING SET



12-3/4" LONG

11-1/4" LONG

11.25" SLICING KNIFE/CARVING FORK SET

95-45071E

Carving set features 8" blade slicing knife with carving fork.

Price includes one location electro etch on blade of knife.

25	50	100	200	500	1000
4.84	4.75	4.68	4.62	4.55	4.47
Set Up - \$86.25(G)		Imprint Area - 2-1/2" x 7/16"			
Shipping Weight - 25 sets @ 11 lbs		Class - 6C			

WINE ACCESSORIES

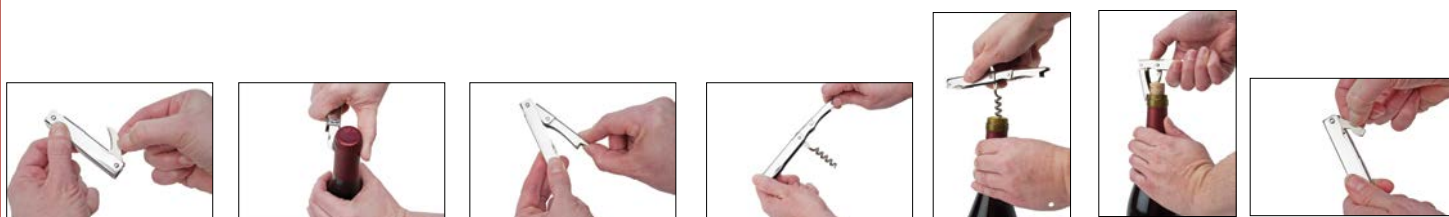


CORKSCREW

95-5002E

Stylish tube design corkscrew made of stainless steel with a beautiful satin finish. Features retractable boot lever, two set lever and an elongated spiral. Price includes electro etch on handle.

25	50	100	200	500	1000
7.58	7.43	7.33	7.23	7.12	6.99
Set Up - \$86.25(G)				Imprint Area - 2" x 1/4"	
Shipping Weight - 25 pcs @ 7 lbs				Class - 6C	



CORKSCREW

95-5003E

Stylish cube design corkscrew made of stainless steel with beautiful mirror finish. Features boot lever, spira and knife. Price includes electro etch on handles.

25	50	100	200	500	1000
7.29	7.15	7.06	6.96	6.85	6.73
Set Up - \$86.25(G)				Imprint Area - 2" x 1/2"	
Shipping Weight - 25 pcs @ 6 lbs				Class - 6C	



UNITENSIL

FROM THE KITCHEN TO THE CAMPSITE

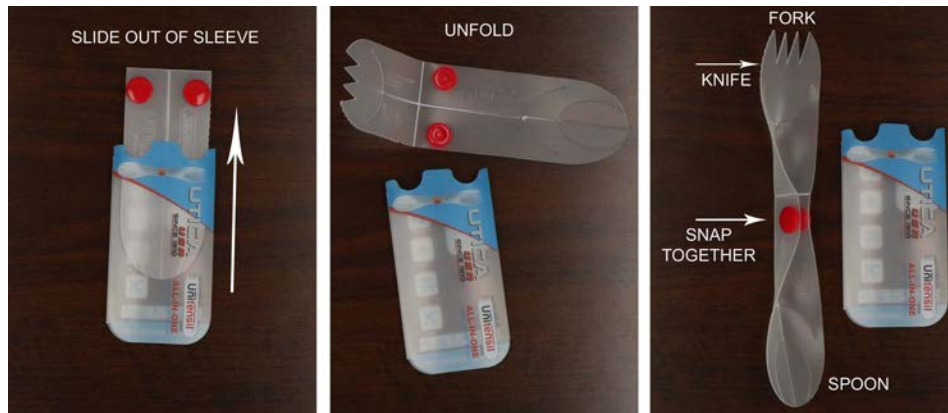


UNITENSIL™ 95-UNI01PP

- Fork/Knife/Spoon
- Re-usable
- Durable
- Lightweight
- Portable/Compact

Price includes one color pad print on sleeve.

25	50	100	200	500	1000
4.22	4.02	3.82	3.72	3.61	3.51
Set up - \$50.00(G)			Imprint Area - 2" x 3/4"		
Shipping Weight - 25 pcs @ 2 lbs			Class - 6C		



Who Buys?

Home & Garden, Retailers,
Construction, Camping
& Outdoors, Manufacturing,
Military, Automotive, Safety,
Agriculture



PRODUCE KNIVES



95-2712SS
PAD PRINT ON HANDLE

4-3/4" STAINLESS FRUIT/VEGETABLE KNIFE 95-2712SS

Features 3-7/8" Stainless Serrated pen blade with sampling fork.
Price includes one color pad print on handle.

25	50	100	200	500	1000
11.24	10.91	10.62	10.33	10.03	9.74
Set Up - \$50.00(G)			Imprint Area - 2-1/2" x 3/8"		
Shipping Weight - 50 pcs @ 16 lbs			Class - 6C		



95-2712E
ELECTRO ETCH ON HANDLE

4-3/4" STAINLESS FRUIT/VEGETABLE KNIFE 95-2712E

Features 3-7/8" Stainless serrated pen blade with sampling fork.
Price includes electro etch on handle.

25	50	100	200	500	1000
10.59	10.28	10.01	9.73	9.46	9.18
Set Up - \$86.25(G)			Imprint Area - 2-1/2" x 3/8"		
Shipping Weight - 50 pcs @ 16 lbs			Class - 6C		



95-1727P

BLACK NYLON BELT LOOP POUCH 95-1727P

This pouch fits our models 95-1712E, 95-1712SS, 95-2712E, 95-2712SS, 95-1714E, 95-1714SS, 95-109PP and 95-110WHS.
No customizing available on pouches.

50	100	200	500	1000
3.27	3.19	3.10	2.99	2.90
Class - 6C				



Who Buys?

Bar & Restaurant, Food & Beverage, Agriculture

5" PLASTIC HANDLE FRUIT/VEGETABLE KNIFE

95-109PP

3-7/8" long, stainless steel blade with taper grind. Reverse side of handle features belt clip. Price includes one color pad print on handle.

25	50	100	200	500	1000
4.07	3.95	3.90	3.82	3.68	3.58

Set Up - \$50.00(G)

Shipping Weight - 100 pcs @ 10 lbs

Imprint Area - 2-1/2" x 5/8"

Class - 4C



95-109PP
PAD PRINT ON HANDLE

BELT CLIP ON BACK

WARNING:
Cancer and reproductive harm.
See www.P65Warnings.ca.gov
for more information.

5-3/4" IVORY PLASTIC HANDLE FRUIT/VEGETABLE KNIFE

95-112WHS

4-7/8" long, 400 grade stainless blade with taper grind. Price includes one color pad print on handle. Total length open: 10-1/2".

25	50	100	200	500	1000
14.69	14.26	13.88	13.50	13.12	12.74

Set Up - \$50.00(G)

Shipping Weight - 25 pc @ 6 lbs

Imprint Area - 2 1/4" x 1/2"

Class - 6C



95-112WHS
PAD PRINT ON HANDLE



WARNING:
Cancer and reproductive harm.
See www.P65Warnings.ca.gov
for more information.

Optional Wave Edge Blade use (Model# 95112WSWE)

16.40	15.93	15.50	15.07	14.65	14.22
-------	-------	-------	-------	-------	-------

BLACK NYLON BELT LOOP POUCH

95-1727P

This pouch fits our models 95-1712E, 95-1712SS, 95-2712E, 95-2712SS, 95-1714E, 95-1714SS, 95-109PP and 95-110WHS.

No customizing available on pouches.

50	100	200	500	1000
3.27	3.19	3.10	2.99	2.90

Class - 6C



95-1727P



PRODUCE KNIVES



95-2714E
ELECTRO ETCH ON HANDLE

4-5/8" STAINLESS DOUBLE BLADED FRUIT/VEGETABLE SAMPLER w/NYLON POUCH

95-2714E

Blades are 3-3/4" long. One blade is serrated to cut through tough rinds and stalks, the other is taper ground with a razor sharp edge. Knife is stored in convenient belt loop pouch. Price includes electro etch on one handle.

	25	50	100	200	500	1000
	15.74	15.28	14.87	14.46	14.05	13.64
Set Up -	\$86.25(G)			Imprint Area - 2-1/2" x 3/8"		
Shipping Weight -	25 pcs @ 10 lbs			Class - 6C		



MODEL 95-2714SS
PAD PRINT ON HANDLE

4-5/8" STAINLESS DOUBLE BLADED FRUIT/VEGETABLE SAMPLER w/NYLON POUCH

Model 95-2714SS

Includes two 400 grade stainless spear blades. Blades are 3-3/4" long. One blade is serrated to cut through tough rinds and stalks, the other is taper ground with a razor sharp edge. Knife is stored in convenient belt loop pouch. Price includes one color pad print on handle.

	25	50	100	200	500	1000
	16.34	15.87	15.44	15.02	14.59	14.17
Set Up -	\$50.00(G)			Imprint Area - 2-1/2" x 3/8"		
Shipping Weight -	25 pcs @ 10 lbs			Class - 6C		

Who Buys?

Bar & Restaurant, Food & Beverage, Agriculture



PRODUCE KNIVES

4-7/8" STAINLESS FRUIT/VEGETABLE KNIFE

95-1712E

3-7/8" blade. Price includes electro etch on handle.

25	50	100	200	500	1000
11.38	11.05	10.75	10.45	10.16	9.86

Set Up - \$86.25(G)

Shipping Weight - 50 pcs @ 16 lbs

Imprint Area - 2-1/2" x 3/8"

Class - 6C

For Wave Edge Blade use (Model# 951712EWE)

13.16	12.78	12.43	12.09	11.75	11.41
-------	-------	-------	-------	-------	-------

95-1712E
ELECTRO ETCH ON HANDLE



4-7/8" STAINLESS FRUIT/VEGETABLE KNIFE

95-1712SS

3-7/8" blade. Price includes one color pad print on handle.

25	50	100	200	500	1000
12.02	11.67	11.36	11.05	10.74	10.42

Set Up - \$50.00(G)

Shipping Weight - 25 pcs @ 8 lbs

Imprint Area - 2-1/2" x 3/8"

Class - 6C

Optional Wave Edge Blade use (Model# 951712SSWE)

13.81	13.40	13.05	12.69	12.33	11.97
-------	-------	-------	-------	-------	-------

95-1712SS
PAD PRINT ON HANDLE



BLACK NYLON BELT LOOP POUCH

95-1727P

This pouch fits our models 95-1712E, 95-1712SS, 95-2712E, 95-2712SS, 95-1714E, 95-1714SS, 95-109PP and 95-110WHS.

No customizing available on pouches.

50	100	200	500	1000
3.27	3.19	3.10	2.99	2.90

Class 6C

95-1727P



RESCUE KNIFE

BALL BEARING ASSISTED OPENING 95-1839L

- Liner lock
- High carbon stainless steel blade
- Blade length 3"
- Closed length 4-1/4"
- Overall length 7-3/8"
- Semi serrated tanto blade
- Smooth ball bearing opening
- Aluminum handle

Price includes laser engraving on handle.

25	50	100	200	500	1000
20.76	20.15	19.61	19.07	18.53	17.99
Set up - \$70.00(G)				Imprint Area - 1-1/2" x 1/4"	
Shipping Weight - 25 pcs @ 4 lbs				Class - 6C	





FOLDING SAW/GUTHOOK LOCKBACK

95-RT215L

- High carbon stainless steel blades
- Blade lengths – saw 3-1/2" / gut hook blade 3-1/2"
- Closed length 4-3/4"
- Overall length 8 1/8"

Price includes laser engraving on saw blade

25	50	100	200	500	1000
27.80	26.48	25.16	24.49	23.83	23.17
Set Up - \$70.00(G)				Imprint Area - 1-1/2" x 3/8"	
Shipping Weight - 25 pcs @ 9 lbs				Class - 6C	

WARNING:
Cancer and reproductive harm.
See www.P65Warnings.ca.gov
for more information.

SPECIALTY TOOLS

FROM THE GARAGE TO THE CAMPSITE



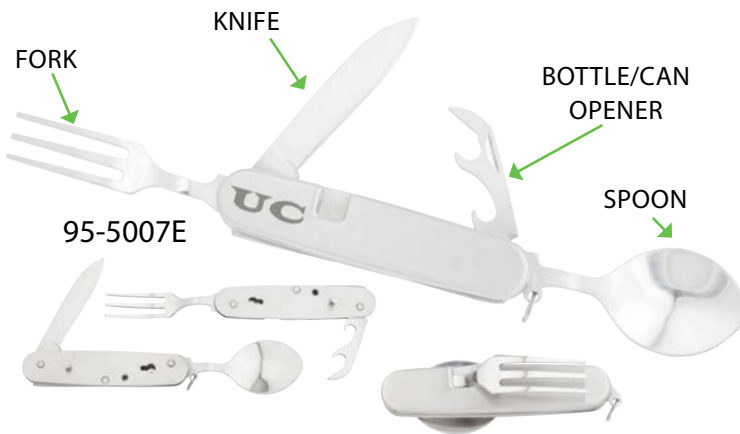
MULTIFUNCTION GARDEN SHEARS 95-5006PP

- High carbon stainless steel implements
- Plastic handles
- Closed length 4-5/8"
- Opened length 8"
- Nylon pouch

Price includes one color pad print on handle.

25	50	100	200	500	1000
7.10	6.96	6.87	6.78	6.67	6.55
Set Up - \$50.00(G)			Imprint Area - 2-1/2" x 3/8"		
Shipping Weight - 25 pcs @ 13 lbs			Class - 6C		

WARNING:
Cancer and reproductive harm-
See www.P65Warnings.ca.gov
for more information.



CAMPER'S TOOL 95-5007E

- High carbon stainless steel handle and implements
- Closed length 3 1/2"

Price includes electro etch in one location on handle.

25	50	100	200	500	1000
4.68	4.59	4.53	4.47	4.40	4.32
Set Up - \$86.25(G)			Imprint Area - 3/4" x 1/2"		
Shipping Weight - 100 pcs @ 28 lbs			Class - 6C		

Who Buys?

Home & Garden, Retailers,
Construction, Camping
& Outdoors, Manufacturing,
Military, Automotive, Safety,
Agriculture

SPECIALTY TOOLS

KEY SHAPED FOLDING KNIFE

95-2005L

- Blade length 2-1/4"
- Closed length 2-3/4"
- Overall length 4-5/8"

Price includes laser engraving on key head.

25	50	100	200	500	1000
9.81	9.62	9.49	9.36	9.21	9.05
Set up - \$70.00(G)			Imprint Area - 1/2" x 3/4"		
Shipping Weight - 100 pcs @ 24 lbs			Class - 6C		



BOX OPENER DOG TAG STYLE KNIVES

- 95-6008RDL Red
- 95-6008BLL Blue
- 95-6008SL Silver
- 95-6008BKL Black

- Blade length 1-3/16"
- Closed length 2"
- Overall length 3-3/16"

Price includes laser engraving in one location.

25	50	100	200	500	1000
9.15	8.97	8.85	8.73	8.59	8.44
Set up - \$70.00(G)			Imprint Area - 3/4" x 1"		
Shipping Weight - 25 pcs @ 4 lbs			Class - 6C		



EVERYDAY CARRY

WOOD LINER LOCK

95-1990L

- Liner lock
- High carbon stainless steel blade
- Blade length 2-1/8"
- Closed length 2-1/4"
- Overall length 4-3/8"

Price includes laser engraving on handle.

25	50	100	200	500	1000
12.51	12.15	11.82	11.50	11.17	10.85

Set Up - \$70.00(G) Imprint Area - 1-1/2" x 1/2"
 Shipping Weight - 25 pcs @ 5 lbs Class - 6C



STAINLESS STEEL LOCKBACK

95-181502E

- High carbon stainless steel blade
 - Blade Length 2-1/4"
 - Closed Length 2-7/8"
 - Overall Length 5"
- Price includes electro etch on handle

100	200	500	1000
5.01	4.92	4.73	4.60

Set Up - \$86.25(G) Imprint Area - 1-1/2" x 1/2"
 Shipping Weight - 100 pcs @ 18 lbs Class - 4C



MINI TOOLS

GREAT FOR POCKET, KEY CHAINS, BACKPACKS ...

CARABINER TOOL 95-5008L

- Aluminum handle
- High carbon stainless steel blades
- Closed length 2 5/8"

Price includes laser engraving on one side of handle.

25	50	100	200	500	1000
5.19	5.09	5.03	4.96	4.88	4.79
Set up - \$70.00(G)				Imprint Area - 1-1/4"x 3/8"	
Shipping Weight - 100 pcs @ 16 lbs				Class - 6C	

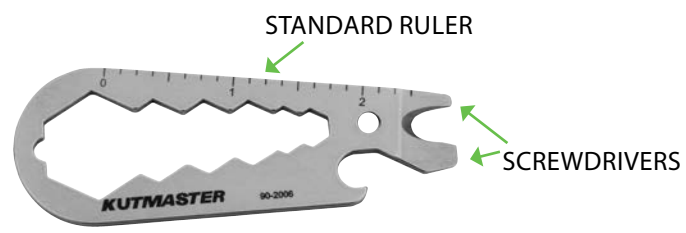
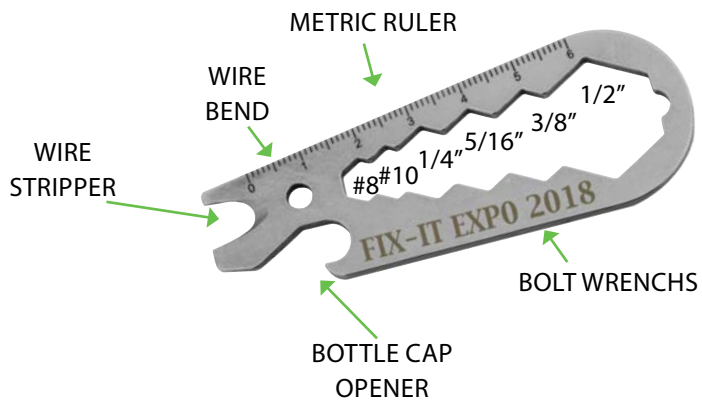


KEY CHAIN/POCKET TOOL 95-2006E

- 3-1/5" in length and 1/8" thick
- Nylon carrying case
- High carbon stainless steel

Price includes electro etch in one location.

25	50	100	200	500	1000
5.33	4.95	4.89	4.82	4.74	4.66
Set up - \$86.25(G)				Imprint Area - 1" x 1/4"	
Shipping Weight - 25 pcs @ 3 lbs				Class - 6C	



Who Buys?

Home & Garden, Employee Recognition & Awards, Retailers, Construction, Camping & Outdoors, Military, Automotive, Safety, Agriculture

CLASSIC FOLDERS

3" LOCKBACK

95-1983E

- High carbon stainless steel blade
- Blade length 2-1/4"
- Closed length 3"
- Overall length 5-1/8"

Price includes electro etch on blade

25	50	100	200	500	1000
15.16	14.72	14.32	13.93	13.53	13.14

Set Up - \$86.25(G) Imprint Area - 1-1/4" x 3/8"
 Shipping Weight - 25 pcs @ 3 lbs Class - 6C



USA MADE AVAILABLE ON PAGE 7

3" LOCKBACK

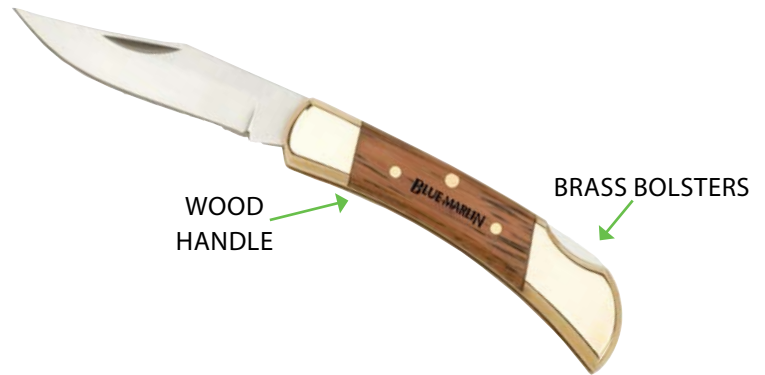
95-1983L

- High carbon stainless steel blade
- Blade length 2-1/4"
- Closed length 3"
- Overall length 5-1/8"

Price includes laser engraved handle.

25	50	100	200	500	1000
16.14	15.67	15.25	14.83	14.42	14.00

Set Up - \$70.00(G) Imprint Area - 3/4" x 3/8"
 Shipping Weight - 25 pcs @ 3 lbs Class - 6C



USA MADE AVAILABLE ON PAGE 7

3" LOCKBACK

95-1982L

- High carbon stainless steel blade
- Blade length 2-1/4"
- Closed length 3"
- Overall length 5"

Price includes laser engraved handle

100	200	500	1000
5.64	5.54	5.32	5.18

Set Up - \$70.00(G) Imprint Area - 2-1/4" x 1/2"
 Shipping Weight - 100 pcs @ 18 lbs Class - 4C



Who Buys?
 Home & Garden, Retailers, Military, Construction, Camping & Outdoors, Military, Automotive, Safety, Agriculture, Hunting Clubs

Note: Variations in the darkness and depth of the laser marking may occur due to the variations in color and contrast of the wood.

EVERYDAY CARRY

BALL BEARING ASSISTED OPENING 95-RT903L

- High Carbon Stainless Steel Blade
- Blade Length 3"
- Closed Length 4"
- Overall Length 6-7/8"

Price includes laser engraving on handle

25	50	100	200	500	1000
19.66	19.09	18.58	18.06	17.55	17.04
Set Up - \$70.00(G)			Imprint Area - 1-1/2" x 1/4"		
Shipping Weight - 25 pcs @ 16 lbs			Class - 6C		



WOOD HANDLE LINER LOCK 95-1940L

- Liner Lock
- High Carbon Steel
- Blade Length 3.13"
- Closed Length 4.5"
- Overall Length 7.6"
- Pocket Clip

Price includes laser engraving on handle.

25	50	100	200	500	1000
17.55	17.04	16.59	16.13	15.67	15.22
Set up - \$70.00(G)			Imprint Area - 1-1/2" x 1/2"		
Shipping Weight - 25 pcs @ 10 lbs			Class - 6C		



OPEN ASSIST

TRIPLE ACTION SPRING ASSIST

95-RT200L

US PATENT #US08752298 Collins Bros. Design

- Liner lock
- High carbon stainless steel blade
- Blade length 3"
- Closed length 4-1/8"
- Overall length 7-1/4"

Price includes laser engraving on handle.

25	50	100	200	500	1000
25.82	25.06	24.40	23.71	23.05	22.38
Set Up- \$70.00(G)				Imprint area - 3/4" x 3/4"	
Shipping weight - 25 pcs @7 lbs				Class- 6C	



WARNING:
Cancer and reproductive harm-
See www.P65Warnings.ca.gov
for more information.

TRIPLE ACTION SPRING ASSISTED LINER LOCK

95-200PP

US PATENT #US08752298 Collins Bros. Design

- High carbon stainless steel blade
- Blade length 3"
- Closed length 4"
- Overall length 7-1/4"
- Pocket clip

Price includes one color pad print on handle.

25	50	100	200	500	1000
19.11	18.88	18.54	18.31	17.51	17.16
Set up - \$50.00(G)				Imprint Area - 1-1/8" x 1/2"	
Shipping Weight - 25 pcs @ 7 lbs				Class - 6C	



WARNING:
Cancer and reproductive harm-
See www.P65Warnings.ca.gov
for more information.

FILET KNIFE



FOLDING FILET KNIFE 95-7050E

- High carbon stainless steel blade
- Blade length 5.84"
- Closed length 7.34"
- Overall length 13.18"
- Rubberized handle
- Thumb stud

Price includes electro etch on blade.

12	25	50	100	200	500
22.72	22.05	21.46	20.87	20.28	19.69

Set up - \$86.25G)

Shipping Weight - 25 pcs @ 11 lbs

Imprint Area - 2-1/2" x 3/8"

Class - 6C

Who Buys?

Home & Garden, Retailers, Military,
Construction, Camping
& Outdoors, Military, Automotive,
Safety, Agriculture, Hunting Clubs

GENERAL INFORMATION • TERMS & CONDITIONS

Who buys knives . . .

The phrase we hear the most when doing trade shows is, I have no one to sell knives to. The question is, but do you? Knives are great for giveaways, corporate gifts and incentive programs. There are many markets that buy knives as they are a promotion that will last forever! We have a large variety of knives which includes pocket knives, multitools, and kitchen cutlery. The best thing about our company is that we specialize in cutlery. We have been in business for over 100 years and are still going strong. To give you some ideas we have listed several different markets that are currently purchasing knives along with what styles of knives they purchase.

Bar & Restaurant

Steak Knives, Cutlery , Fruit/Vegetable Knives, Wine Openers

Food & Beverage

Steak Knives, Fruit/Vegetable Knives, Cutlery , Wine Openers

Real Estate

Steak Knives, Cutlery

Home & Garden

USA Made Knives & Tools, Pocket Knives, Multitools, Cutlery

Employee Recognition & Awards

Pocket Knives, Cutlery, Steak Knives, USA Made Knives & Tools

Retailers

Steak Knives, Pocket Knives, Cutlery, Multitools

Military

Pocket Knives, Multitools, USA Made Knives & Tools

Construction

Pocket Knives, Multitools, USA Made Knives & Tools

Camping & Outdoors

Pocket Knives, Multitools, Cutlery, Fillet Knives, USA Made Knives & Tools

Manufacturing

Pocket Knives, Multitools, USA Made Knives & Tools

Automotive

Pocket Knives, Multitools

Safety

Pocket Knives, Multitools, USA Made Knives & Tools

Unions

USA Made Knives & Tools

IF YOU HAVE ANY QUESTIONS PLEASE FEEL FREE TO CONTACT US.

FOR LIMITED LIFETIME WARRANTY INFORMATION: www.uticausa.com

GENERAL INFORMATION – TERMS AND CONDITIONS

Camera Ready Art/Graphics:

Artwork that is not camera-ready such as photocopies, faxed art, business cards, unseparated art or art that needs to be laid out, touched up, or typeset etc, will be charged \$25.00(G).

Complex art is subject to art charges at a rate of \$50.00(G) per hour. This will be noted prior to acknowledgment of your order.

E-mailing Artwork:

Camera-ready art may be e-mailed in jpeg, tiff, or eps file format to artwork@uticacutlery.com

Proofs:

\$6.00(G) for fax or paper proofs will be added to all other charges. Revision of proofs will be recharged.

Note: Responsibility for design and imprint lies with buyer when a proof is approved or if no proof is requested.

Please note. Fax, paper or virtual proofs are only an indication of placement, size and representation of artwork on the product. Actual product color, logo color or electro etch shading will vary with the marking of the product.

Speculative/Preproduction Sample:

\$60.00(G) per time in addition to die, stencil, screen or laser set-up charge.

PRICING SUBJECT TO CHANGE

Over/Under Runs:

Due to the nature of our manufacturing process we reserve the right to under/overship any order by 5%

Less Than Minimum:

There is a charge of \$60.00 (G) for orders less than the quantity minimum.

Unimprinted Production:

Non imprint items will be billed at end quantity price. Minimum quantities apply. We will accept no returns.

Production Time:

Normal production time on most orders is 2 to 3 weeks. Rush orders are available and will be billed at \$60.00(G). Factory authorization is required.

Samples:

All imprinted samples billed at end quantity pricing, no returns will be accepted unless authorized by the factory.

Shipping:

- All orders are FOB our factory in Utica, NY
- Orders will be shipped the most convenient way unless otherwise specified
- For overnight or 2-day service, please furnish us with your carrier's account number

- Goods lost or damaged after leaving our facilities are the responsibility of the carrier
- For drop shipments or split shipments add \$15.00(G) per each additional address
- No C.O.D. shipment will be accepted

Returns:

All claims must be submitted in writing within ten days of receipt of goods. No merchandise will be accepted without prior authorization and a return number issued by the factory.

Trademark Usage:

Artwork, designs, logos, and trademarks imprinted on products in this catalog have been reproduced as an example of the quality of printing available from Utica Cutlery Company. They are not intended to represent or constitute an endorsement of Utica Cutlery Company or its products by any other company. Acceptance of copy or other material submitted by the customer for use by Utica Cutlery Company in producing the products ordered will be accepted by the factory as being submitted in full compliance with all applicable laws regarding trademark, service mark, copyright, right of privacy, patent contractual limitations or similar protection.

Utica Cutlery Company uses 3 marking methods to mark their products. Below is an explanation of each.

1. Electro Chemical Etch:

This process creates a dark brown/black image on the metal surface of the blades or handles of our product. The image is transferred through a stencil with electrolyte solution and an electrical charge. The final product is a dark brown/black mark which is burned into the surface layer of the metal.

2. Laser Engraving:

This process entails the use of a gas mixture, CO2 laser which creates a cutting beam, that will engrave into our wood, plastic, Poly-Pro or metal surfaces. The final finish color or shading varies and is largely based on the make-up and consistency of the wood, plastic and anodized surface.

3. Pad Printing:

This process uses a flexible silicon rubber transfer pad that picks up a film of the ink from a photo-etched printing plate and transfers it to a 3 dimensional part surface. We can transfer up to 4 colors to our wood, plastic or metal products.

Exact Repeat Set up Charges:

Electro Etch \$0.00
Laser \$43.75(G)
Pad Print \$43.75(G)

Second Location Charges:

Laser Engraving \$70.00(G), Run Charge \$1.64(G) per knife/tool
Pad Printing \$50.00(G), Run Charge \$1.06(G) per knife/tool
Electro Etch \$86.25(G) Run Charge \$1.25(G) per knife/tool
Personalization \$3.00(G) per name

Pad Printing

2 color set up \$100.00(G), Run Charge \$1.06(G) per knife/tool
3 color set up \$150.00(G), Run Charge \$2.12(G) per knife/tool
4 color set up \$200.00(G), Run Charge \$3.18(G) per knife/tool

Standard Pad Print Colors:

White	Red 032 C	Black
Forest Green 355	Gold (Metallic)	Green 347
Reflex Blue	Yellow C	Orange 021 C

Web Site:
uticaccpromo.com

ASI/93130 • PPAI 113227 • UPIC KUT1910 • SAGE 54118

UTICA
CUTLERY CO[®]

KUTMASTER 400 LINE